

# Pressure Switch

TIVG

The pressure switch is a special version of the TIVG 15R indicator. The orifice plate has been replaced by a sealed plug.

The pressure switch can, for example, be fixed parallel to an oil cooler and indicate any fall in pressure in the cooler.

There are two fields to the scale, a green and a red. When the pressure falls below either 5 kPa

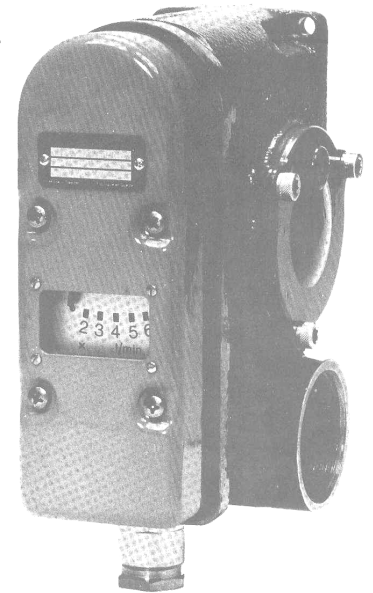
or 2 kPa the pressure switch shows red and the change-over contact operates

The pressure switch is available with either one or two contact units.

## Ordering particulars

When ordering, state the Cat.No. and mounting alternative, see page 1.

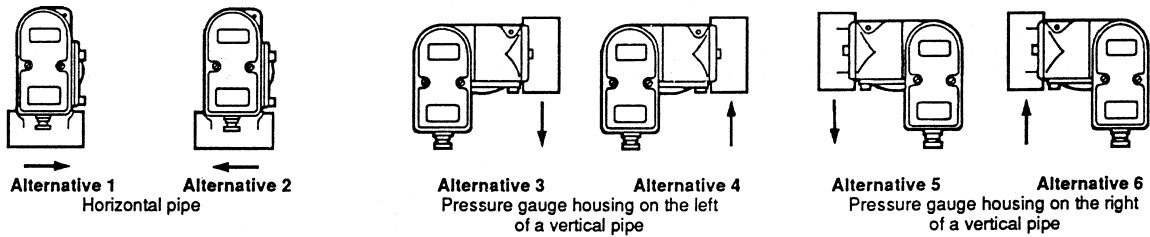
**Example:** SK 661 001-A, alternative 1



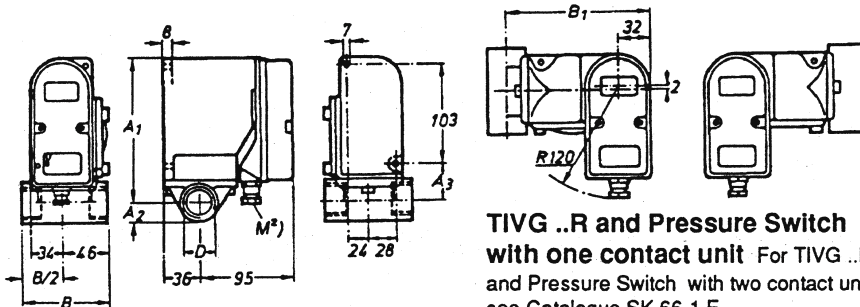
## Ordering information

Switching Pressure	One contact unit Cat.No.	Weight kg	Two contact units Cat.No.	Weight kg
5 kPa	SK 661 001-A	3,4	SK 661 007-A	3,9
2 kPa	SK 661 001-B	3,4	SK 661 007-B	3,9

## Mounting alternative



## Dimensions (in mm)



**TIVG ..R and Pressure Switch with one contact unit** For TIVG ..R and Pressure Switch with two contact units, see Catalogue SK 66-1 E.

Type TIVG	ISO 65 <sup>1)</sup> Nominal bore DN mm	Pipe thread D	Dimensions				
			A1	A2	A3	B	B1
15 R, pressure switch	15	R 1/2"	140	14	30	70	140

<sup>1)</sup> Corresponds to DIN 2440, SMS 326.

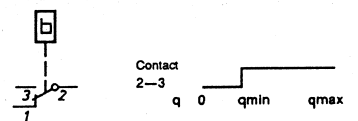
<sup>2)</sup> M = Cable gland Pr 18,6.

## Diagram

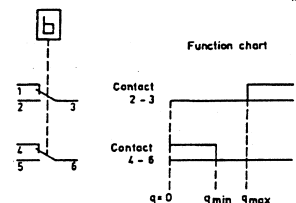
With single pole instantaneous change-over contact. Difference between change-over and return is approx. one scale division.

Adjustable TIVG ..R, change-over from readings 2 to 5. Set at reading 3 when supplied.

**TIVG ..R and Pressure Switch with one contact unit**



**Pressure switch with two contact units**



Wissenschaftliche Apparaturen  
und Industrieanlagen AG  
Bruggacherstrasse 24  
CH-8117 Fällanden

Tel. 044 317 57 57  
Fax 044 317 57 77  
http://www.wisag.ch  
e-mail: info@wisag.ch