

SERIES 1200 VARIABLE AREA FLOWMETER

The Series 1200 Flowmeter is produced in three standard sizes. Normally front of panel mounted, but can also be rear of panel mounted and supplied complete with bezel and mounting kit. Three versions are available:-

1200 Long, which has a flow tube length of 295mm, is for use where high resolution scale accuracy is required.

1200 Standard, which has a flow tube length of 138mm, universal standard tube length.

1200 Compact, which has a flow tube length of 93mm, is for use where space is at a premium.

The 1200 Series Flowmeter will give an instantaneous flow rate of virtually any process gas or liquid.

The 1200 Series Flowmeter can be supplied with either nickel plated brass, anodised aluminium alloy, or stainless steel connections.

These can be supplied with straight through, or rear facing connections, with or without integral control valves.



SERIES 1200 FEATURES

- * THREE STANDARD LENGTHS AVAILABLE RATES
- * VALVED OR NON-VALVED VERSIONS FLOW AVAILABLE
- * STRAIGHT THROUGH OR REAR FACING CONNECTIONS
- * BEZEL AND MOUNTING KIT AVAILABLE FOR ALL VERSIONS INSTANTANEOUS
- * FRICTIONLESS, HENCE LOW HEAD LOSS
- * ELEGANT AND ROBUST DESIGN
- * EASY TO READ SCALE
- * RANGE OF STANDARD FLOW RATES
- * STANDARD OR CUSTOMISED SCALES
- * ALARM POINT SIGNALS
- * INTRINSICALLY SAFE VERSION
- * DIRECT READING OF FLOW RATE
- * Ni PLATED BRASS, ANODISED ALUMINIUM AND STAINLESS STEEL CONNECTIONS

- * EASY IN-SITU TUBE REMOVAL AND RE-INSTALLATION
- * SUITABLE FOR FRONT OR REAR OF PANEL MOUNTING
- * POLYCARBONATE SAFETY COVER
- * WIDE RANGE OF ACCESSORIES
- * MINIMAL MAINTENANCE
- * LONG SERVICE LIFE

Chassis:	Anodised aluminium to BSEN12373/AA25	Plumb Bob Floats:	Hard anodised aluminium Stainless steel
End Blocks:	Ni plated brass Stainless steel Anodised aluminium alloy	Ball Floats:	Glass, Stainless steel, Ceramic, Ruby, Tungsten
Process Connections:	1/4" BSPPF rear facing 1/4" BSPPF straight through	Weight:	570/670 grams (standard)
Valve Stem:	Stainless steel	Maximum Working Pressure:	Gas: up to 20 bar g (non shock) Liquid: up to 20 bar g (non shock)
Cover:	Polycarbonate	Maximum Working Temperature:	60°C Nitrile 100°C Viton
Seals:	Nitrile or Viton		
Metering Tube:	Borosilicate glass (93mm, 138mm and 295mm long)	Accuracy:	± 5% FSD predicted ± 2% FSD series calibrated

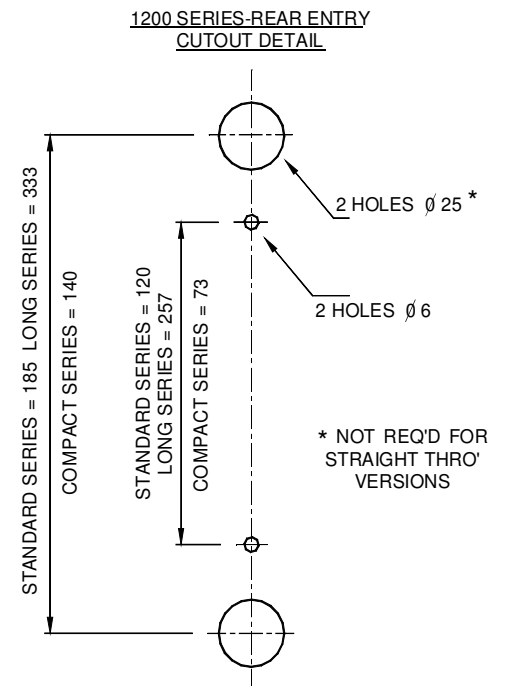
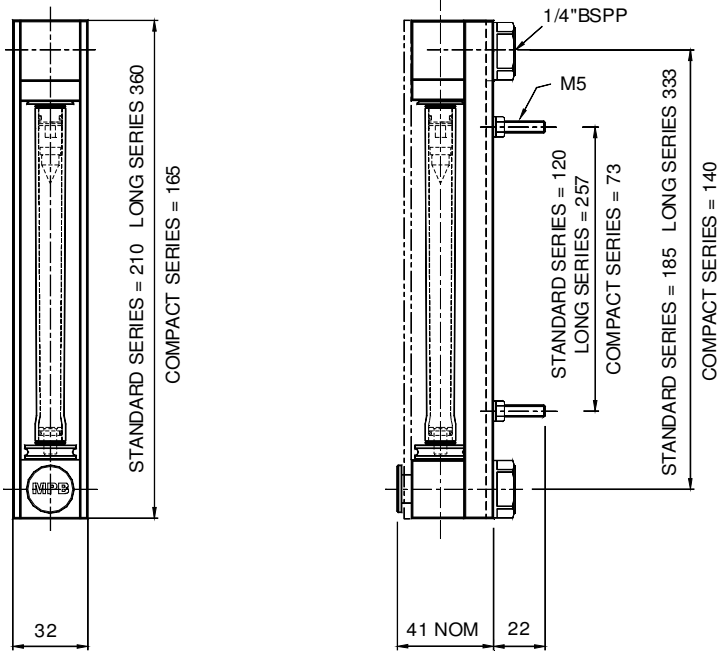
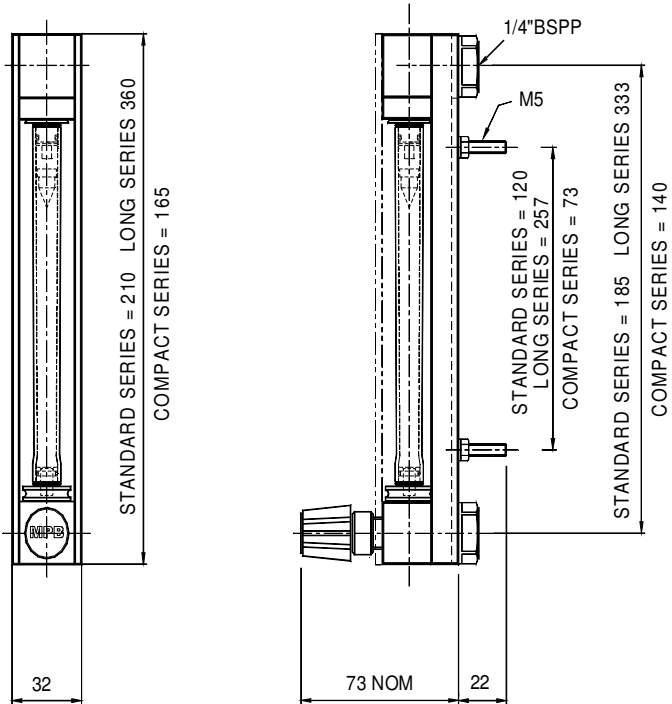
STANDARD RANGES

1200 COMPACT SERIES		1200 STANDARD SERIES		1200 LONG SERES	
93mm TUBE LENGTH 20°C/1013 mbar abs		138mm TUBE LENGTH 20°C/1013 mbar abs		295mm TUBE LENGTH 20°C/1013 mbar abs	
AIR	WATER	AIR	WATER	AIR	WATER
5 – 50 cc/min	–	5 – 50 cc/min	5.0 – 50 cc/min	25 – 250 cc/min	5 – 50 cc/min
10 – 100 cc/min	–	10 – 100 cc/min	10 – 100 cc/min	100 – 1000cc/min	10 – 100 cc/min
25 – 250 cc/min	5.0 – 50 cc/min	25 – 250 cc/min	25 – 250 cc/min	0.25 – 2.5 L/min	25 – 250 cc/min
50 – 500 cc/min	10 – 100 cc/min	50 – 500 cc/min	50 – 500 cc/min	0.5 – 5.0 L/min	50 – 500 cc/min
100 – 1000 cc/min	25 – 250 cc/min	0.1 – 1.0 L/min	0.1 – 1.0 L/min	0.75 – 7.5 L/min	0.1 – 1.0 L/min
0.25 – 2.5 L/min	60 – 600 cc/min	0.25 – 2.5 L/min	0.2 – 2.0 L/min	1.0 – 10 L/min	0.2 – 2.0 L/min
0.5 – 5 L/min	100 – 1000 cc/min	0.5 – 5.0 L/min	0.3 – 3.0 L/min	1.5 – 15 L/min	0.3 – 3.0 L/min
1.0 – 10 L/min		1.0 – 10 L/min	0.5 – 5.0 L/min	2.5 – 25 L/min	0.5 – 5.0 L/min
2.5 – 25 L/min		1.5 – 15 L/min	0.75 – 7.5 L/min	3.0 – 30 L/min	1.0 – 10 L/min
4.0 – 40 L/min		2.5 – 25 L/min	1.0 – 10 L/min	5.0 – 50 L/min	
12 – 120 L/min		5.0 – 50 L/min		10 – 100 L/min	
15 – 150 L/min		10 – 100 L/min		15 – 150 L/min	
		15 – 150 L/min			

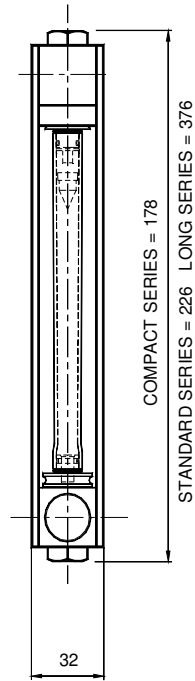
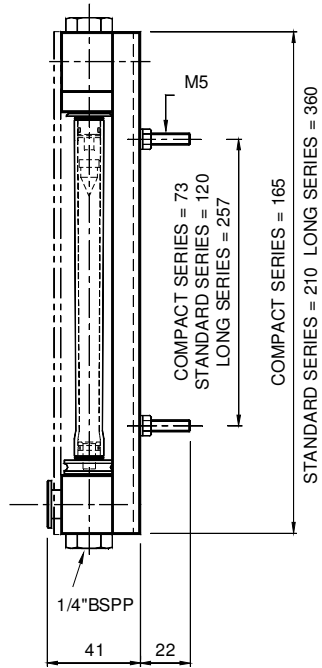
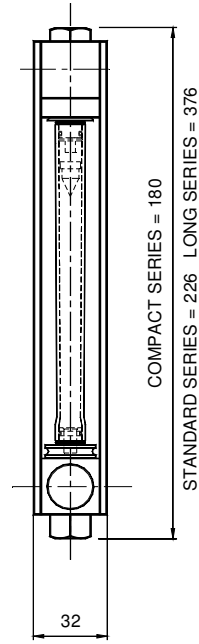
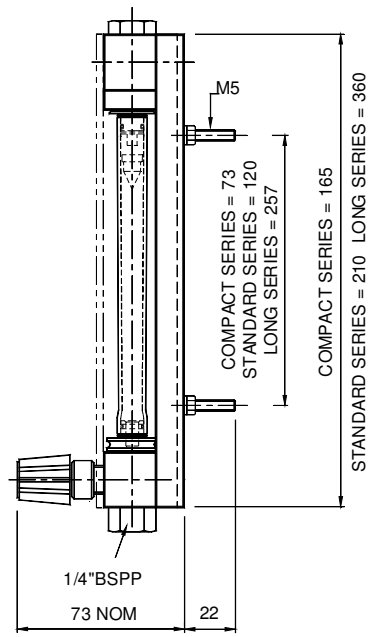
Customised flow ranges are available. Please consult Wisag to select the required flow range for the process fluid used.

1200 VARIABLE AREA FLOWMETER DIMENSIONS AND INSTALLATION DETAILS

REAR FACING VERSIONS



Please contact Wisag Office for separate sheet detailing panel cut outs for rear of panel mounted flowmeters



Bruggacherstrasse 24
8117 Fällanden

Telefon
Telefax

**Wissenschaftliche Apparaturen
und Industrieanlagen AG**

044 317 57 57 <http://www.wisag.ch>
044 317 57 77 e-mail: info@wisag.ch

WISAG