

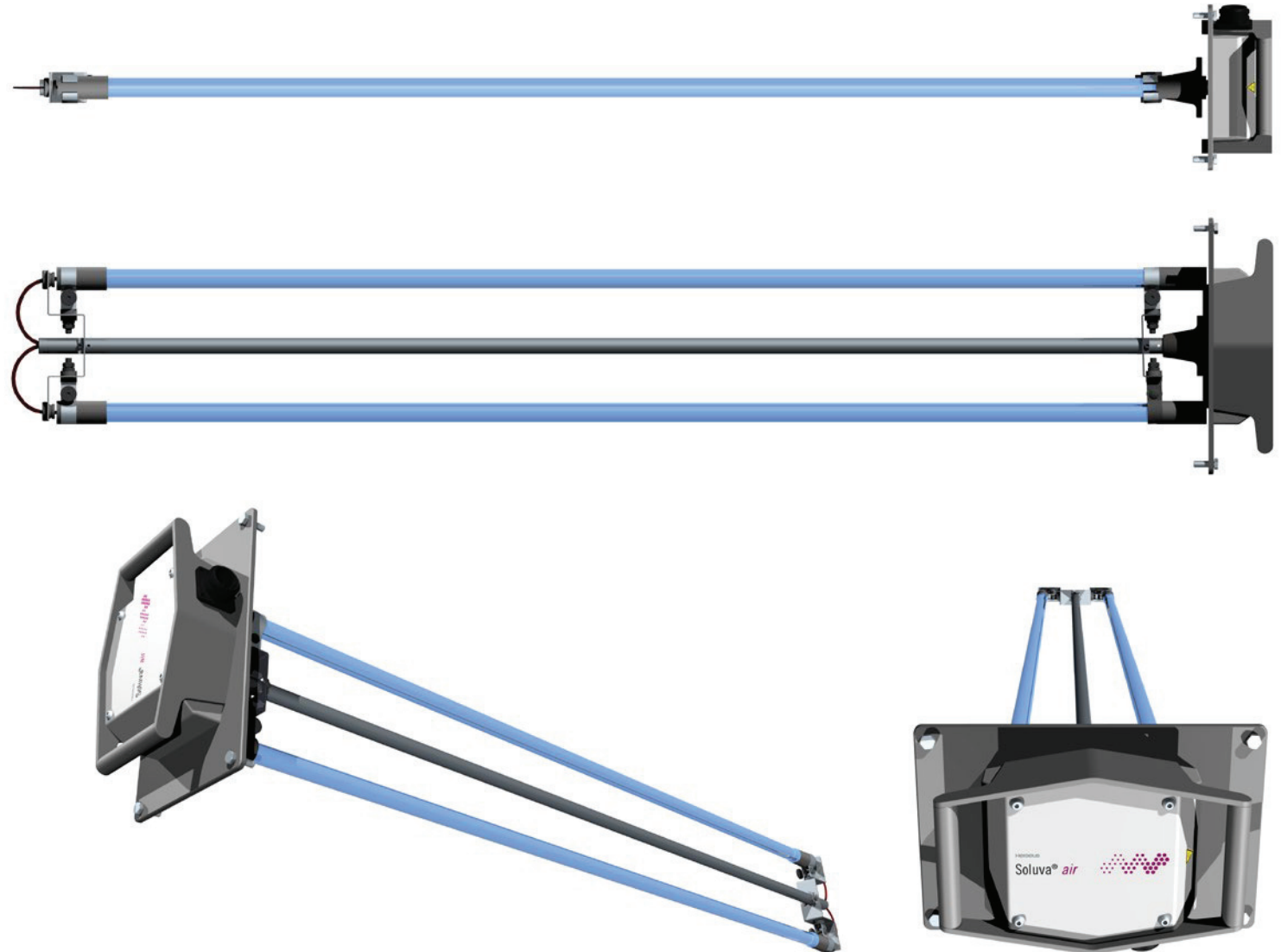
Soluva[®] Air D is installed in existing ventilation systems or retrofitted. In the system, the absorbed air flow is reliably disinfected with UV light and released back into the room without any germs.

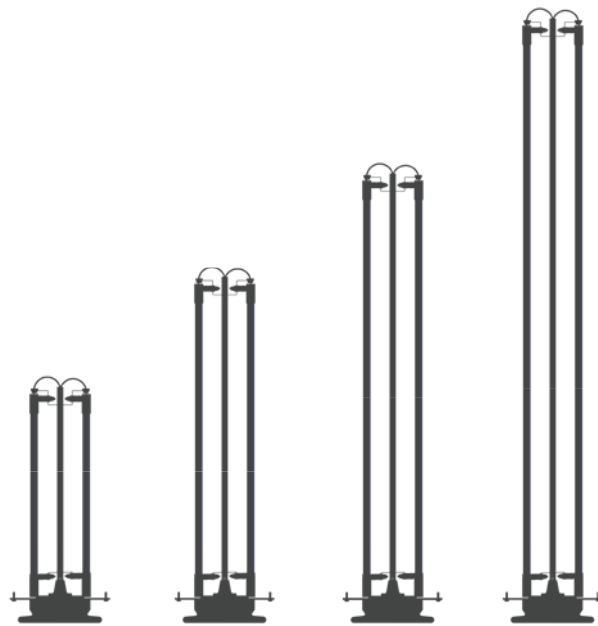
99,99%
 Inactivation of the
 Covid-19 pathogen, tested
 on two Heraeus Soluva[®]
 products

Proven in cooperation
 with the University
 Hospital of
 Tübingen

UV light in a wavelength of 200 to 300 nm splits the DNA of viruses, such as the COVID virus, and other microorganisms and thus produces a strong disinfecting effect.

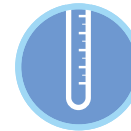
This has also been confirmed by the University of Tübingen in cooperation with Heraeus Noblelight.





Option 1 // Air Flow Sensor

For ventilation systems without an “air flow on” or “fan running” control signal, the Soluva® Air D requires an air flow sensor to generate this signal for proper operation.



Option 2 // High Temperature Alert

To prevent damage to the UV system, sensors detect high duct air temperature (70° C) and sends an alert to the system control monitor enabling the user to take corrective action and extend the life of the UV disinfection system.



Option 3 // Control Cabinet Base

If wall mounting of the control unit is not possible, we supply a set of two bases including mounting material for the control cabinet. The overall height is 800mm, the color is RAL 7035.

| Soluva® Air D Module | Size 6 | Size 9 | Size 12 | Size 16 |
|---------------------------------------|------------------|--------|---------|---------|
| Nominal Power (W) | 220 | 240 | 340 | 650 |
| Length (mm) | 650 | 950 | 1250 | 1650 |
| Installation length (duct width) (mm) | 570 | 870 | 1170 | 1570 |
| Width × Height (mm) | 165 × 235 | | | |
| Supply Voltage | 230 V / 50 Hz | | | |
| Cable length (m) | 5 / 10 / 15 / 20 | | | |
| Weight (kg) | 5 | 6 | 7 | 8,5 |

| Soluva® Air D Control | |
|------------------------------------|---|
| Dimensions | 800 × 600 × 300 / 800 × 800 × 300 / 1200 × 1200 × 300 |
| Ambient temp. Operation | min. +5°C / max. 40°C |
| Relative humidity (non-condensing) | 25% – 85% |



Soluva® Air D Control



Bruggacherstrasse 24
Tel: 044 317 57 57
info@wisag.ch

8117 Fällanden
Fax: 044 317 57 77
www.wisag.ch